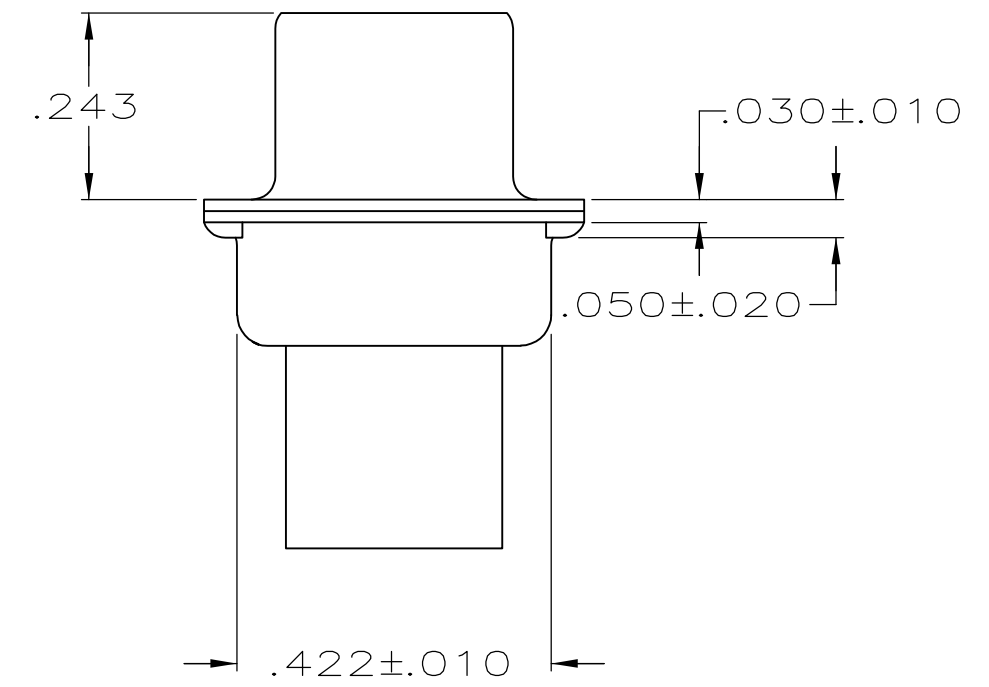
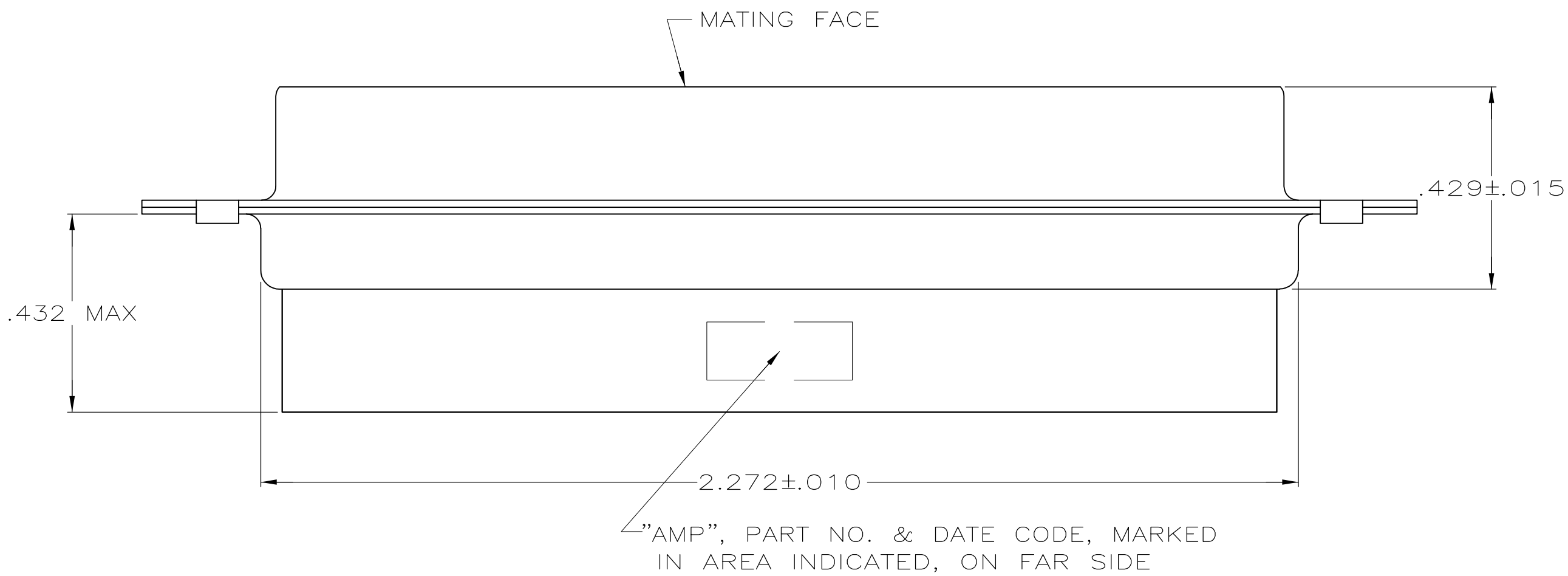
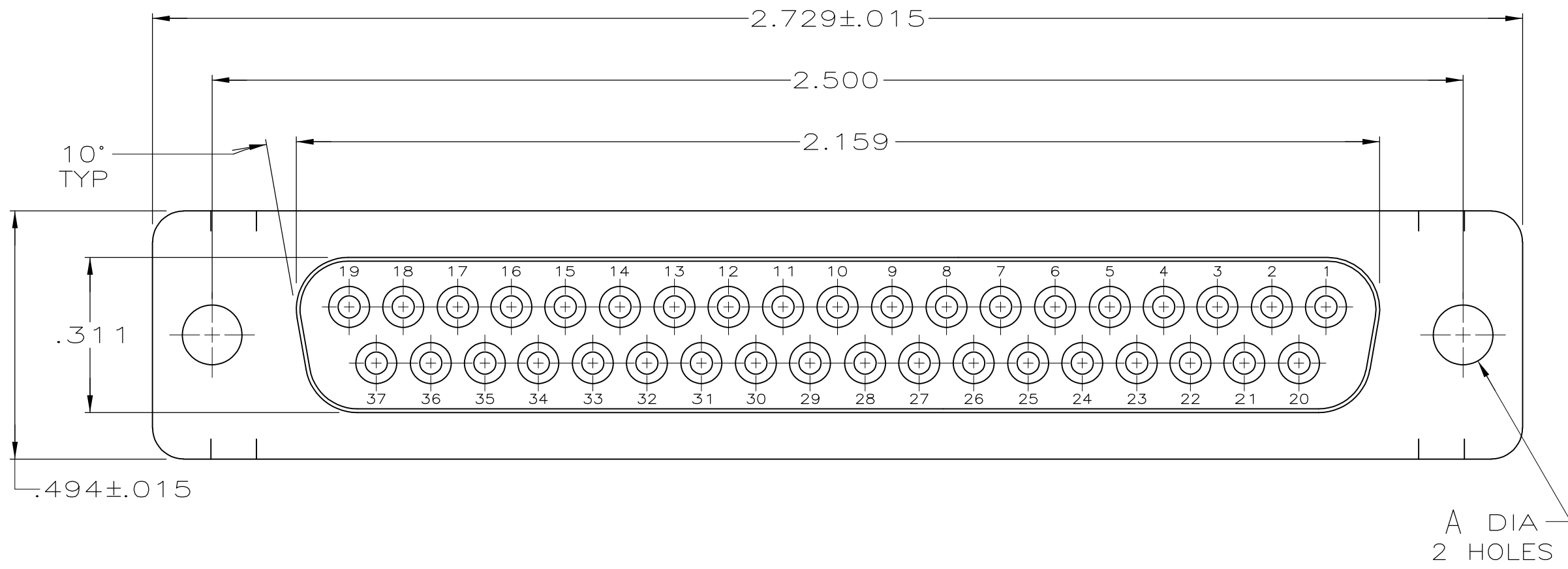


THIS DRAWING IS UNPUBLISHED. RELEASED FOR PUBLICATION  
 © COPYRIGHT BY TYCO ELECTRONICS CORPORATION. ALL RIGHTS RESERVED.

LOC	DIST	REVISIONS			
P	LTR	DESCRIPTION	DATE	DWN	APVD
GP	00	K1	REVISED PER ECO-07-008164	27JUL07	JDP CWR



- CONNECTOR ACCEPTS SIZE 20 DF SOCKET CONTACTS, RETENTION TINES ARE AN INTEGRAL PART OF INSERT.
- CONNECTOR COMPLIES WITH 108-40005 WHERE APPLICABLE.
- NYLON, FLAME RETARDANT, 94V-0 RATED, GLASS FILLED, BLACK.
- STEEL PER ASTM A109.
- ZINC PLATED PER ASTM B633; TYPE II; CLASS SC1; YELLOW CHROMATE.
- TIN OR TIN-LEAD PLATED PER MIL-T-10727.
- TIN PLATED PER MIL-T-10727 OVER COPPER PER MIL-C-14550.
- ZINC PLATED .000200-.000400 THICK, YELLOW TRIVALENT CHROMIUM CHROMATE COATING.

PACKAGING TYPE	SHELL FINISH	A	PART NUMBER
STANDARD	8	.120	205209-7
SMALL PACK	5	.120	205209-6
STANDARD	6	.154	205209-3
STANDARD	7	.120	205209-2
STANDARD	5	.120	205209-1

SUPERSEDED BY 205209-1  
 OBSOLETE  
 OBSOLETE

THIS DRAWING IS A CONTROLLED DOCUMENT.		DWN S.WELDON 7-19-85	Tyco Electronics Corporation Harrisburg, PA 17105-3608	
DIMENSIONS: INCHES		CHK J.GERACE 7-29-85	RECEPTACLE CONNECTOR, SIZE 4, 37 POSITION, AMPLIMITE HDP	
TOLERANCES UNLESS OTHERWISE SPECIFIED:		APVD -	SIZE A2	CAGE CODE 00779
0 PLC ± -		PRODUCT SPEC -	DRAWING NO C=205209	RESTRICTED TO -
1 PLC ± -		APPLICATION SPEC -	SCALE 4:1	SHEET 1 of 1
2 PLC ± -		WEIGHT -	REV K1	
3 PLC ± .005				
4 PLC ± -				
ANGLES ± -				
FINISH SHELLS: SEE TABLE				
MATERIAL SEE NOTES				
CUSTOMER DRAWING				